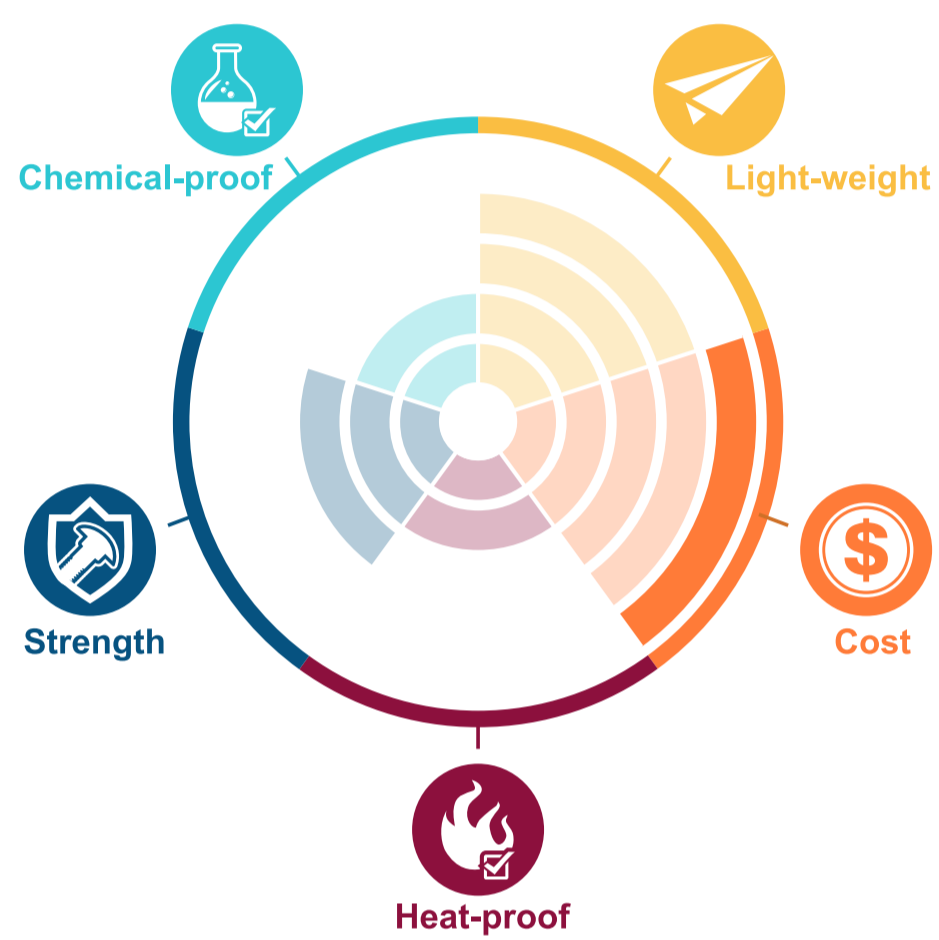


Set Screws



Model HSPCM()-L

PC Polycarbonate / Engineering Plastics



PC is an amorphous thermoplastic, offers a unique combination of toughness with exceptional impact strength. It also exhibits high optical clarity, excellent creep, and high temperature resistance.

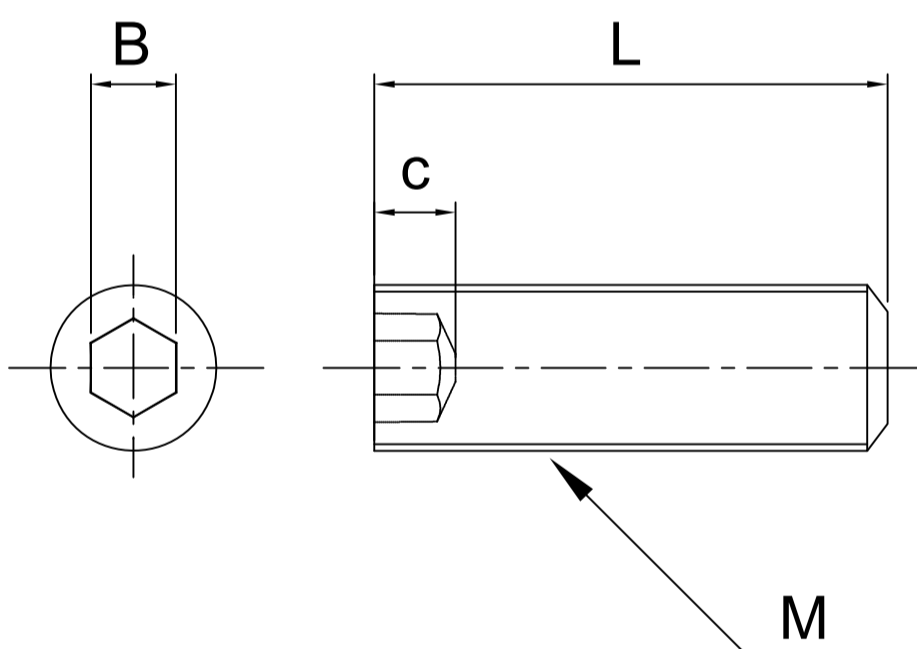
Product Properties

1. Good electrical insulation.
2. High strength to impact.
3. Flame retarding and UV-resistant.
4. Good dimension stability and light transmittance.

Applied industries



Specs



Model: HSPCM()-L

M	3	4	5	6	8
BxC	1.5x2	2x2.5	2.5x3	3x3.5	4x5
Pitch	0.5	0.7	0.8	1	1.25
L(mm)	4	•	-	-	-
	5	•	•	•	-
	6	•	•	•	•
	8	•	•	•	•
	10	•	•	•	•
	12	•	•	•	•
	15	•	•	•	•
	20	-	•	•	•
	25	-	-	-	•
30	-	-	-	-	•

Contact Information

No.60-3, Dongqi 7th Ln., Lukang Township, Changhua County 505008, Taiwan.
 TEL: +886-4-778-4688
 FAX: +886-4-778-4268
 E-mail: sales@plasautotw.com

