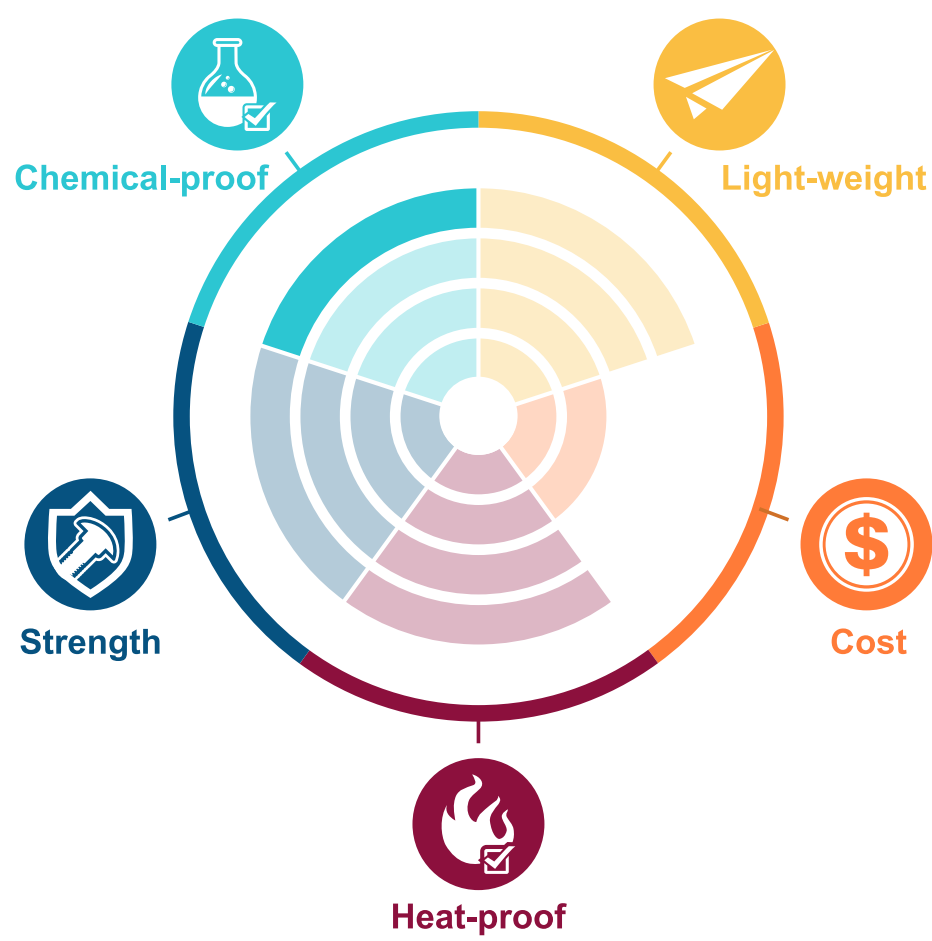


Nuts



Model NPEKM()

PEEK Polyetheretherketone / Advanced Engineering Plastics

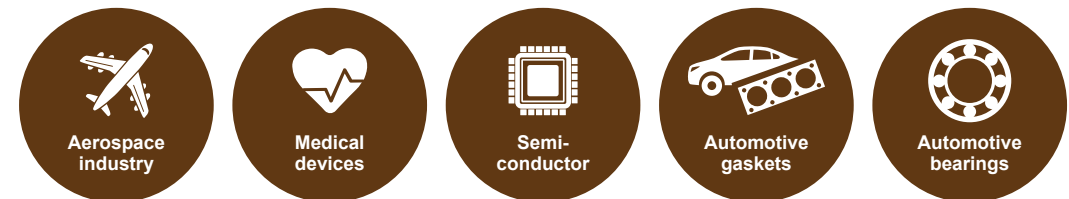


PEEK is a kind of semi-crystalline thermoplastic resins. Parts molded with PEEK have ultra-performance in hostile operational environments. Particularly suitable for applications where extreme mechanical, thermal, and chemical requirements must be satisfied. PEEK demonstrates excellent strength and stiffness over a wide temperature range. Tests have shown that PEEK polymer has a continuous use temperature up to 260°C (500°F). And it is lighter and more durable than many metal counterparts, and as such makes it an effective and cost-efficient replacement for metals.

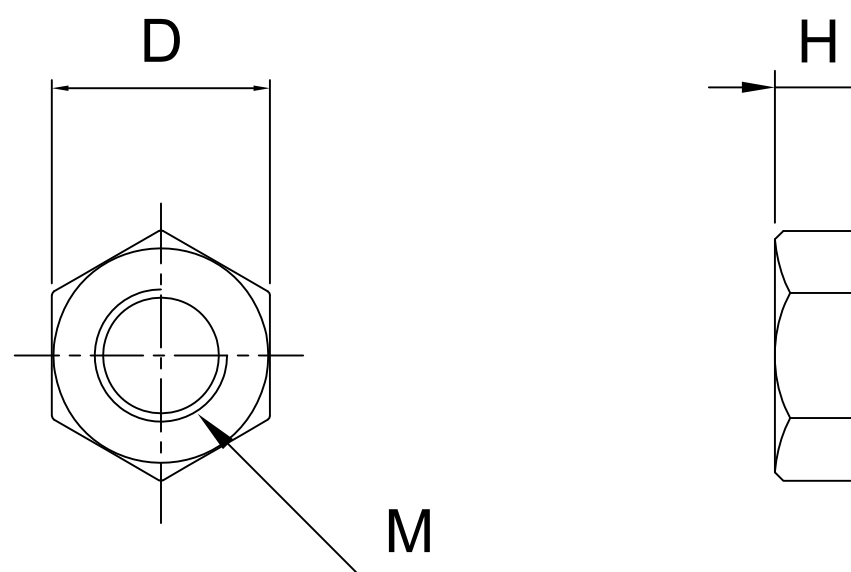
Product Properties

1. Exceptional chemical resistance.
2. Very good abrasion resistance.
3. Best-in-class fatigue & creep resistance.
4. Excellent resistance to hydrolysis in boiling water and superheated steam.
5. Superior dielectric with low loss at the condition of high temperatures and high frequencies.

Applied industries



Specs



Model: NPEKM()

M	3	4	5	6	8	10	12
DxH	5.5x2.4	7x3.2	8x4	10x5	13x6.5	17x8	19x10
Pitch	0.5	0.7	0.8	1	1.25	1.5	1.75

Contact Information

No.60-3, Dongqi 7th Ln., Lukang Township, Changhua County 505008, Taiwan.
 TEL: +886-4-778-4688
 FAX: +886-4-778-4268
 E-mail: sales@plasautotw.com

