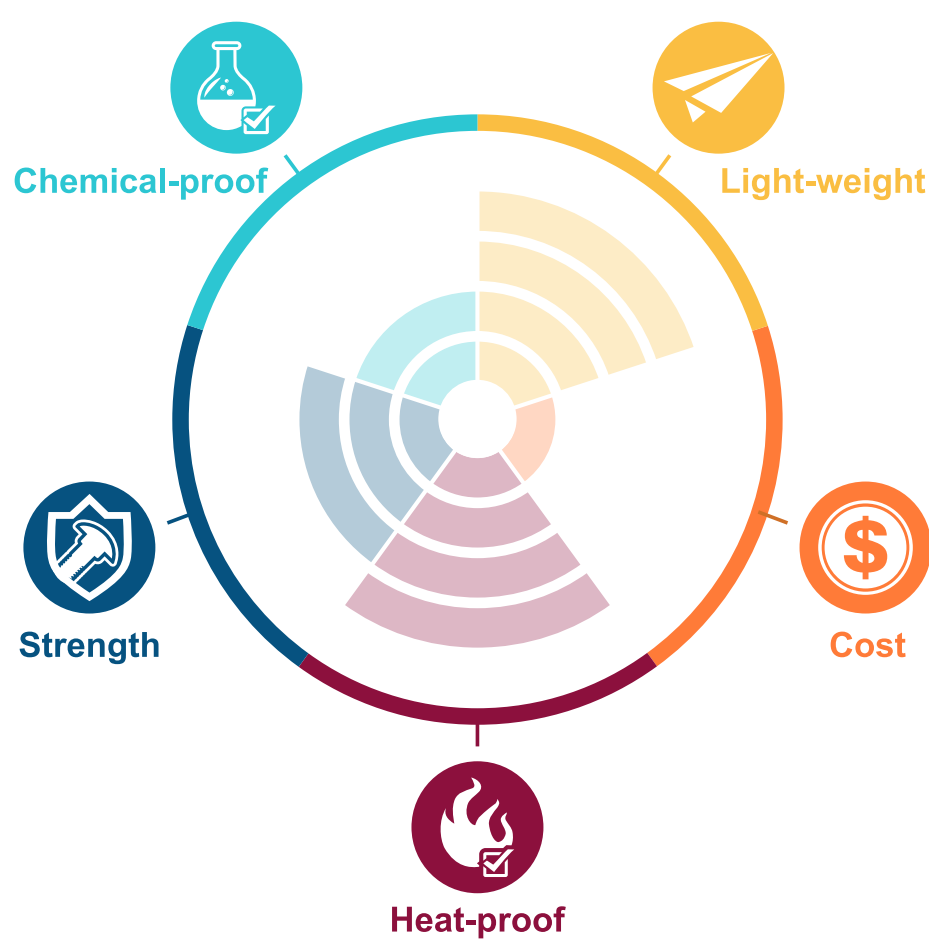


# Hex Socket - Embossing Screws



Model SCBFPEIM( )-(L)

**PEI** Polyetherimide / Advanced Engineering Plastics



PEI is amorphous thermoplastic, high performance resins. It offers outstanding elevated thermal resistance, high mechanical strength, stiffness and dimensional stability over a broad temperature range, inherent flame resistance, hydrolytic stability, and broad chemical resistance.

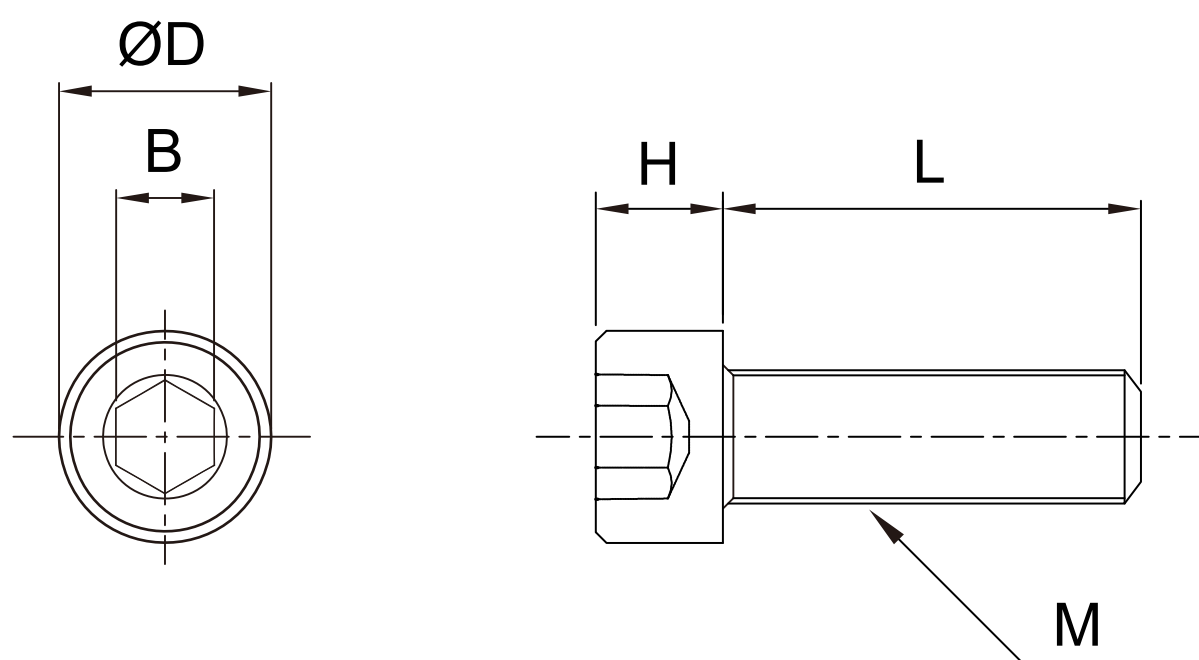
**Product Properties**

1. Dimensional Stability.
2. Long-term heat resistance.
3. Environmental & stress cracking resistance.
4. Low flammability, low smoke generation and toxicity.

**Applied industries**



**Specs**



Model: SCBFPEIM( )-(L)

M	3	4	5	6	8	10	12
<b>DxH</b>	5.5x3	7x4	8.5x5	10x6	13x8	16x10	18x12
<b>B</b>	2.5	3	4	5	6	8	10
<b>Pitch</b>	0.5	0.7	0.8	1	1.25	1.5	1.75
<b>L(mm)</b>	4	•	-	-	-	-	-
	5	•	•	-	-	-	-
	6	•	•	•	-	-	-
	8	•	•	•	-	-	-
	10	•	•	•	•	•	-
	12	•	•	•	•	•	-
	15	•	•	•	•	•	•
	16	•	•	•	•	•	-
	20	•	•	•	•	•	•
	25	•	•	•	•	•	•
	30	-	•	•	•	•	•
	35	-	•	•	•	•	•
40	-	•	•	•	•	•	
45	-	-	-	•	•	•	
50	-	-	-	•	•	•	

**Contact Information**

No.60-3, Dongqi 7th Ln., Lukang Township, Changhua County 505008, Taiwan.  
 TEL: +886-4-778-4688  
 FAX: +886-4-778-4268  
 E-mail: sales@plasautotw.com

