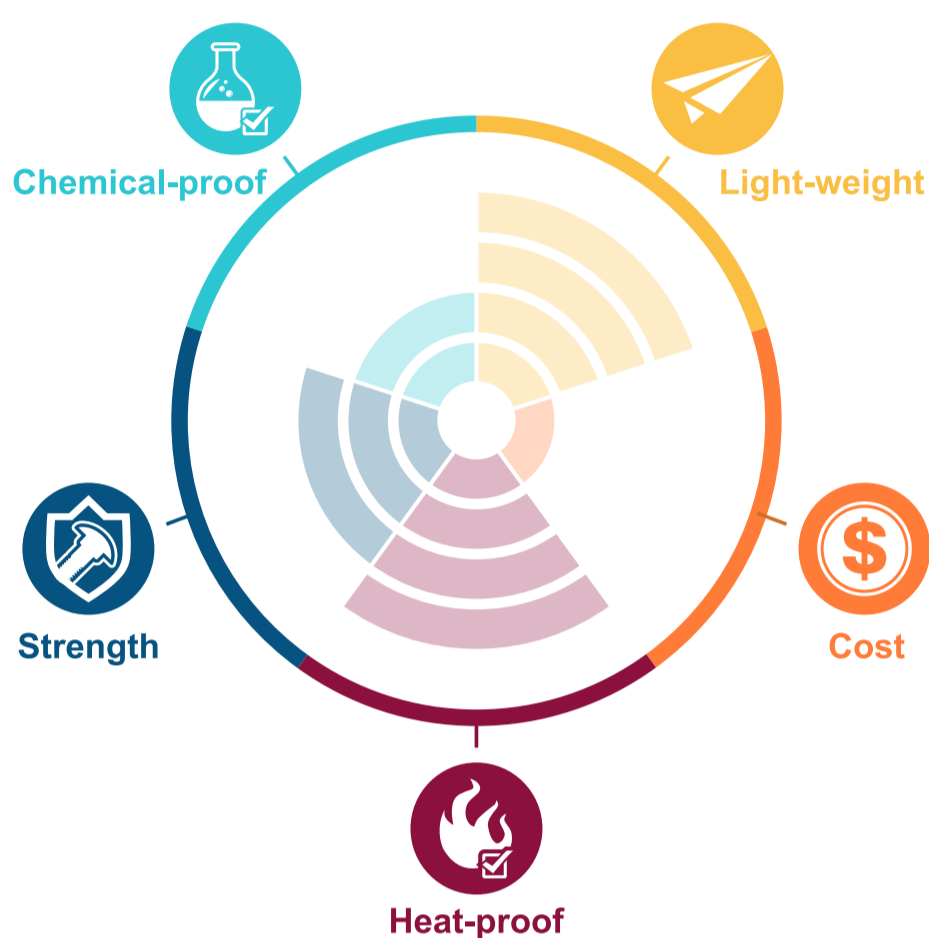


Countersunk Phillips Screws



Model SFHPEIM()-(L)

PEI Polyetherimide / Advanced Engineering Plastics



PEI is amorphous thermoplastic, high performance resins. It offers outstanding elevated thermal resistance, high mechanical strength, stiffness and dimensional stability over a broad temperature range, inherent flame resistance, hydrolytic stability, and broad chemical resistance.

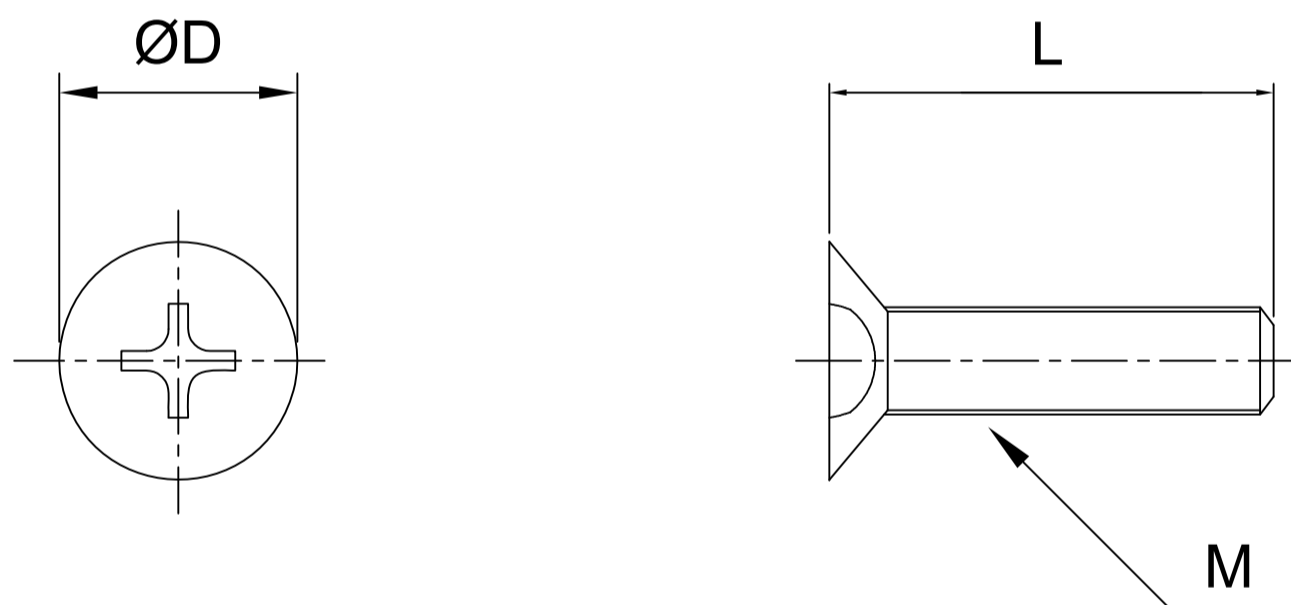
Product Properties

1. Dimensional Stability.
2. Long-term heat resistance.
3. Environmental & stress cracking resistance.
4. Low flammability, low smoke generation and toxicity.

Applied industries



Specs



Model: SFHPEIM()-(L)

M	2	3	4	5	6	8
D	4	6	8	10	12	16
Pitch	0.4	0.5	0.7	0.8	1	1.25
L(mm)	4	•	•	-	-	-
	5	•	•	•	-	-
	6	•	•	•	-	-
	8	•	•	•	•	-
	10	•	•	•	•	•
	12	-	•	•	•	•
	15	-	•	•	•	•
	16	-	•	•	•	•
	20	-	•	•	•	•
	25	-	•	•	•	•
30	-	-	•	•	•	
35	-	-	•	•	•	
40	-	-	•	•	•	
45	-	-	-	-	•	

Contact Information

No.60-3, Dongqi 7th Ln., Lukang Township, Changhua County 505008, Taiwan.
 TEL: +886-4-778-4688
 FAX: +886-4-778-4268
 E-mail: sales@plasautotw.com

