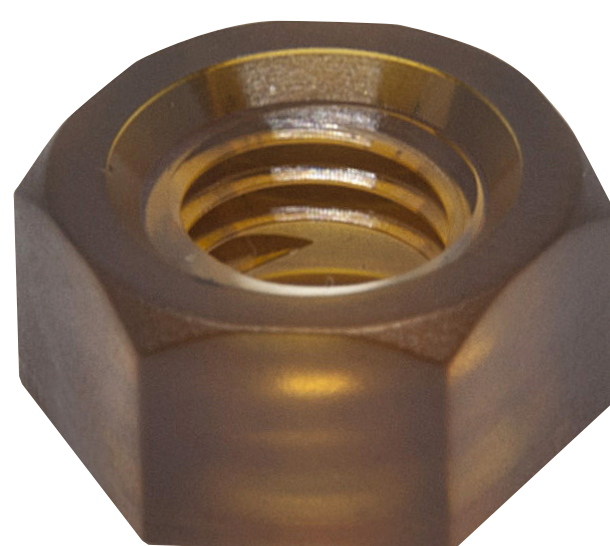
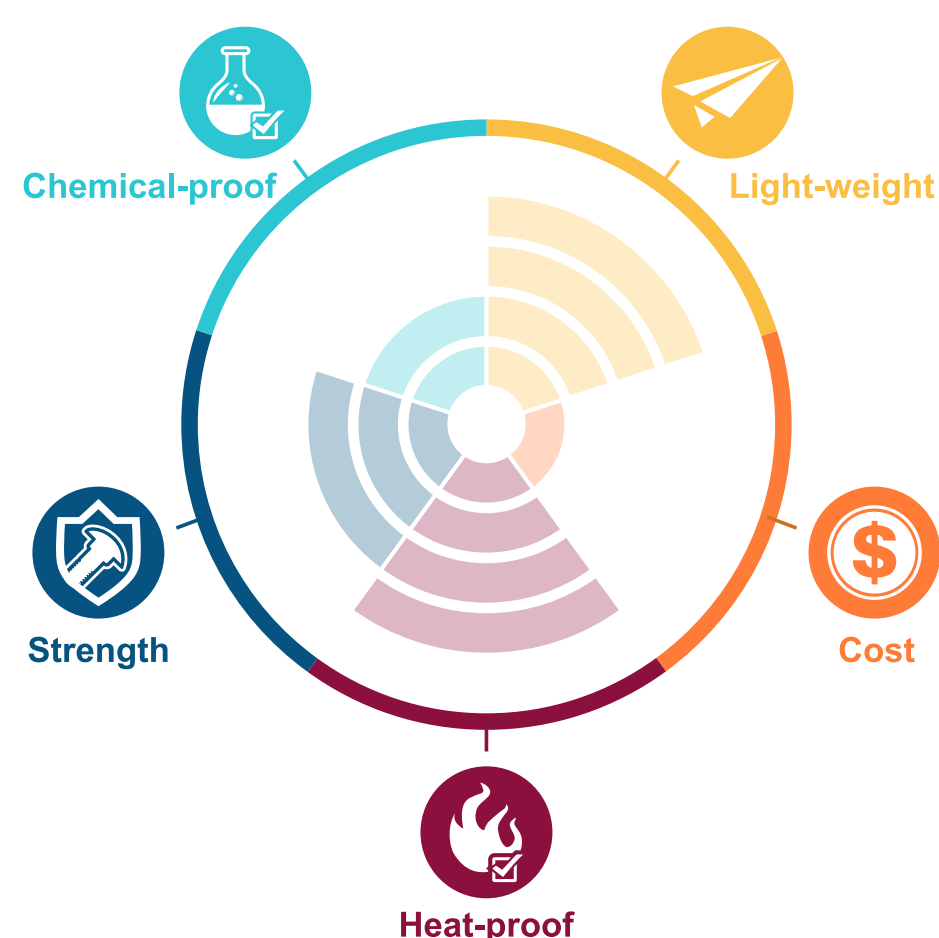


Nuts



Model NPEIM()

PEI Polyetherimide / Advanced Engineering Plastics

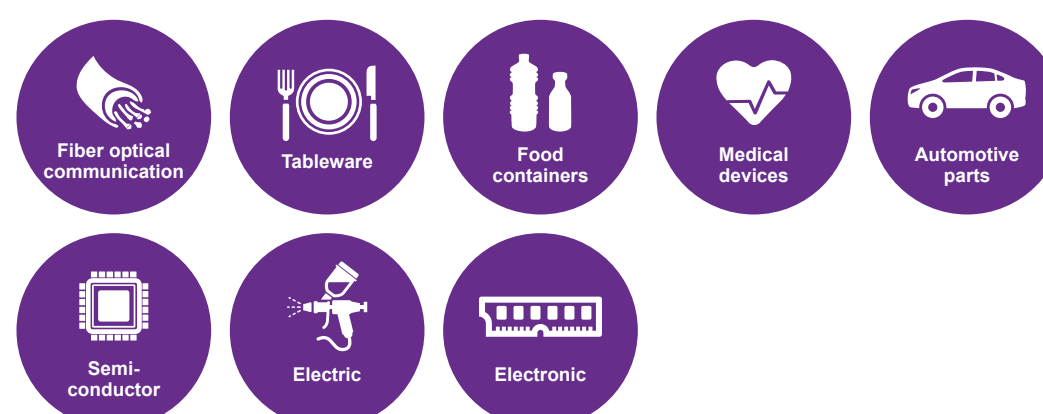


PEI is amorphous thermoplastic, high performance resins. It offers outstanding elevated thermal resistance, high mechanical strength, stiffness and dimensional stability over a broad temperature range, inherent flame resistance, hydrolytic stability, and broad chemical resistance.

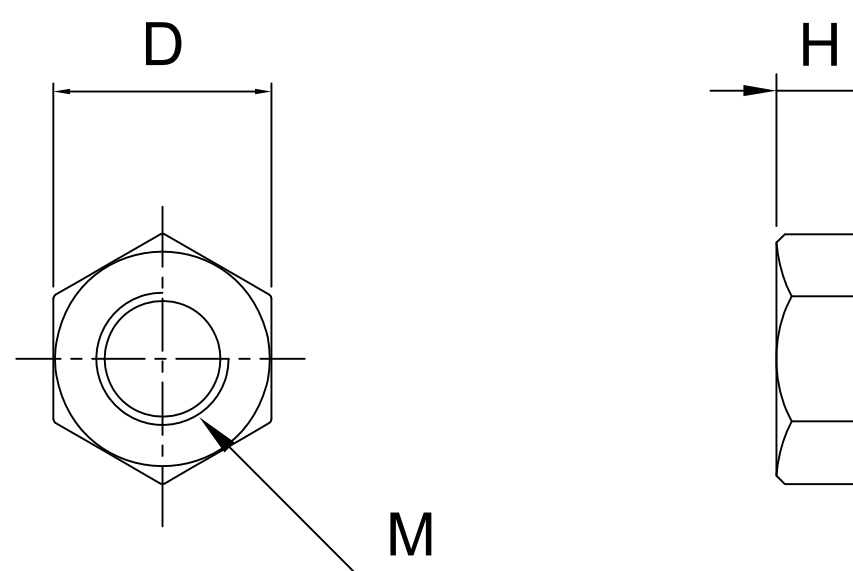
Product Properties

1. Dimensional Stability.
2. Long-term heat resistance.
3. Environmental & stress cracking resistance.
4. Low flammability, low smoke generation and toxicity.

Applied industries



Specs



Model: NPEIM()

M	3	4	5	6	8	10	12
DxH	5.5x2.4	7x3.2	8x4	10x5	13x6.5	17x8	19x10
Pitch	0.5	0.7	0.8	1	1.25	1.5	1.75

Contact Information

No.60-3, Dongqi 7th Ln., Lukang Township, Changhua County 505008, Taiwan.
 TEL: +886-4-778-4688
 FAX: +886-4-778-4268
 E-mail: sales@plasautotw.com

