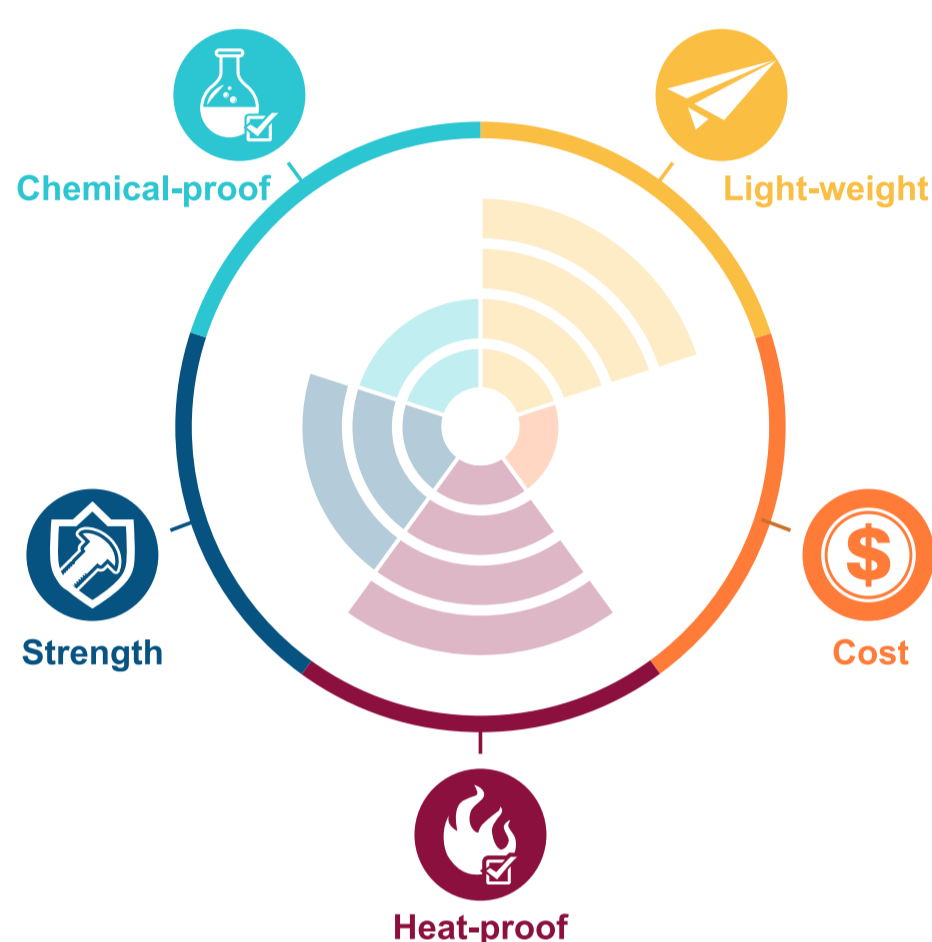


# Set Screws



## Model HSPEIM( )-(L)

**PEI** Polyetherimide / Advanced Engineering Plastics



PEI is amorphous thermoplastic, high performance resins. It offers outstanding elevated thermal resistance, high mechanical strength, stiffness and dimensional stability over a broad temperature range, inherent flame resistance, hydrolytic stability, and broad chemical resistance.

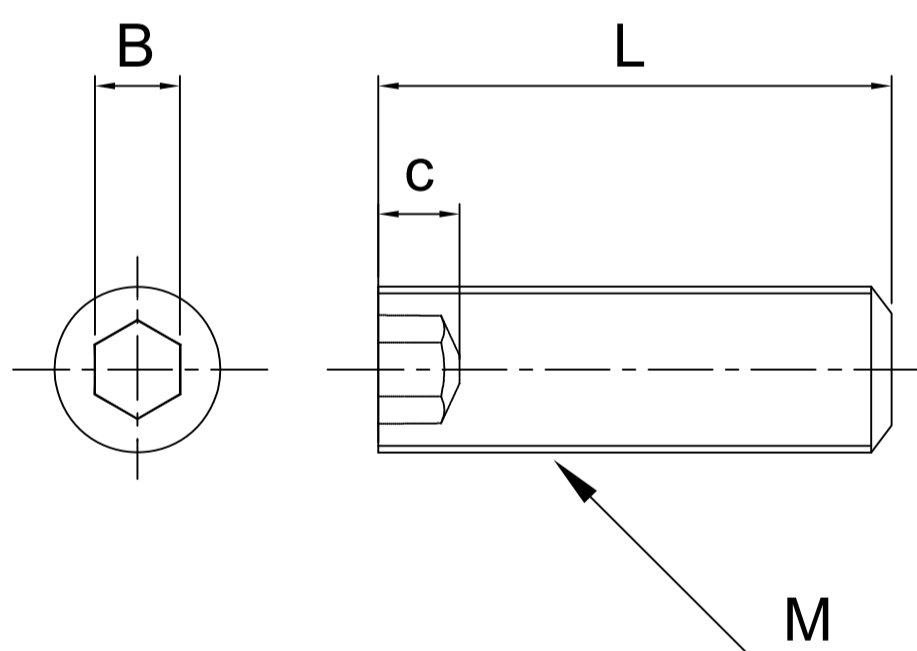
### Product Properties

1. Dimensional Stability.
2. Long-term heat resistance.
3. Environmental & stress cracking resistance.
4. Low flammability, low smoke generation and toxicity.

### Applied industries



## Specs



### Model: HSPEIM( )-(L)

M	3	4	5	6	8
<b>BxC</b>	1.5x2	2x2.5	2.5x3	3x3.5	4x5
<b>Pitch</b>	0.5	0.7	0.8	1	1.25
<b>L(mm)</b>	4	•	-	-	-
	5	•	•	•	-
	6	•	•	•	•
	8	•	•	•	•
	10	•	•	•	•
	12	•	•	•	•
	15	•	•	•	•
	20	-	•	•	•
	25	-	-	-	•
	30	-	-	-	-

### Contact Information

No.60-3, Dongqi 7th Ln., Lukang Township, Changhua County 505008, Taiwan.  
 TEL: +886-4-778-4688  
 FAX: +886-4-778-4268  
 E-mail: sales@plasautotw.com

