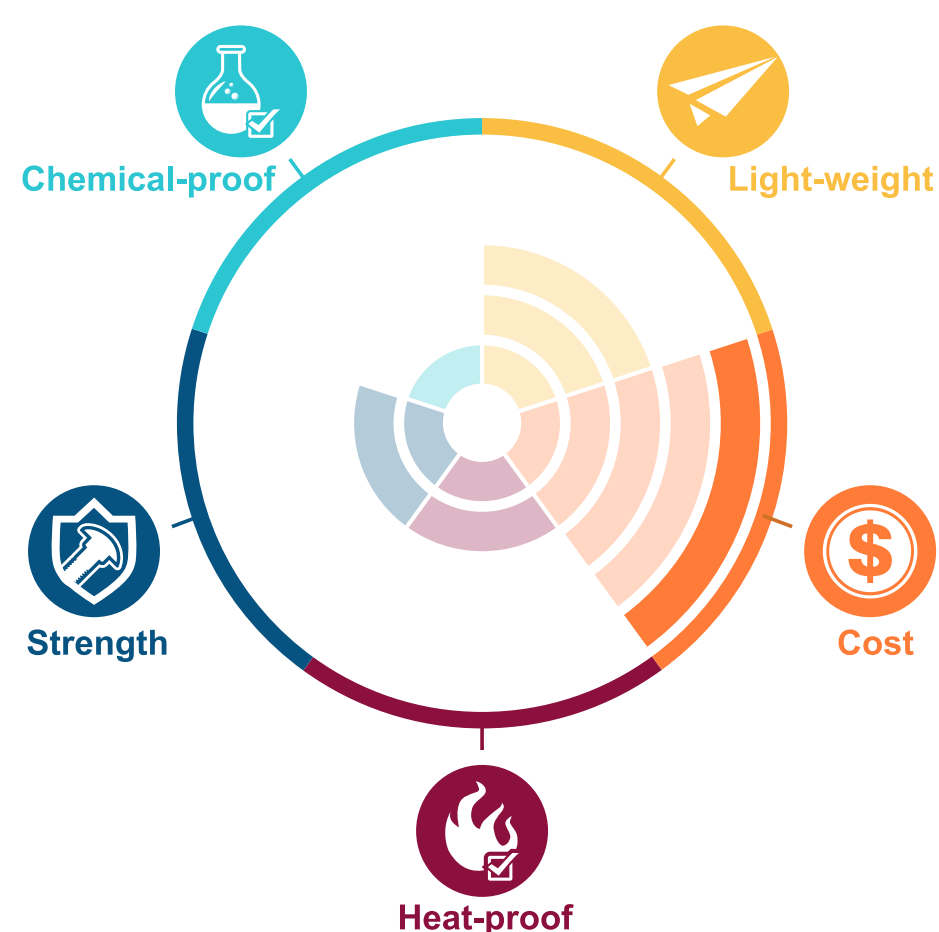


Nuts



Model NPOMM()

POM Polyacetal / Engineering Plastics

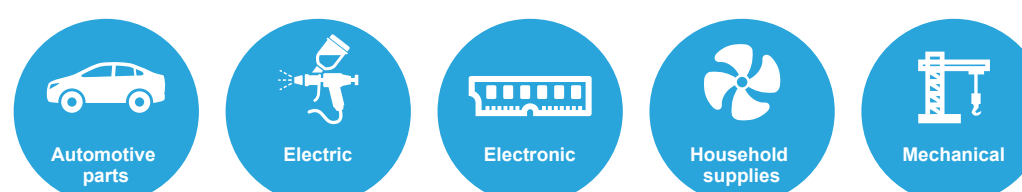


POM is a leading engineering plastics material widely used in place of metals. This product was first used commercially to replace machinery components such as gears, screws and bearings, which were previously all made of steel. Today, it has a wide range of applications from everyday household goods such as zippers and toothbrushes to vehicle safety equipment like door locks and latches, seatbelt locking mechanisms and fuel system components.

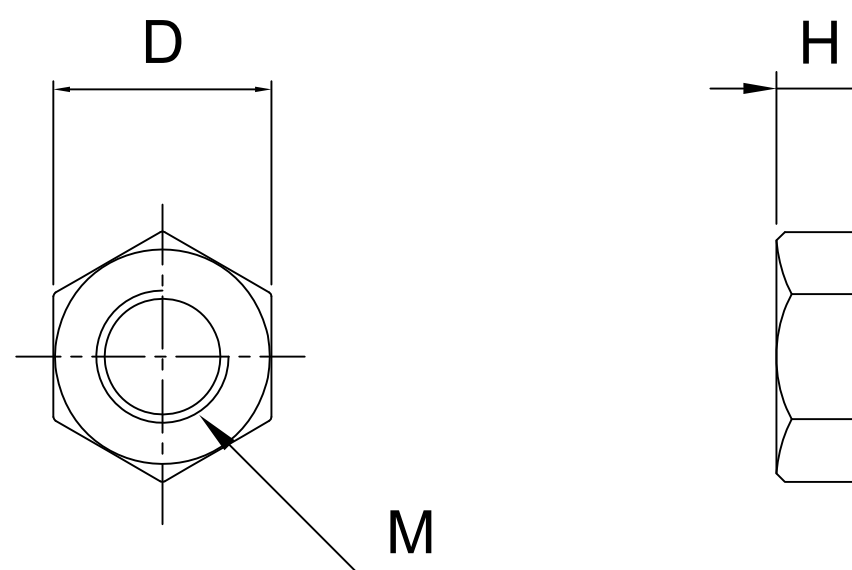
Product Properties

1. Low friction / Low wear.
2. Creep resistance / Fatigue resistance.
3. Chemical resistance, Fuel / Oil resistance.
4. Dimensional stability.

Applied industries



Specs



Model: NPOMM()

M	3	4	5	6	8	10	12
DxH	5.5x2.4	7x3.2	8x4	10x5	13x6.5	17x8	19x10
Pitch	0.5	0.7	0.8	1	1.25	1.5	1.75

Contact Information

No.60-3, Dongqi 7th Ln., Lukang Township, Changhua County 505008, Taiwan.
 TEL: +886-4-778-4688
 FAX: +886-4-778-4268
 E-mail: sales@plasautotw.com

