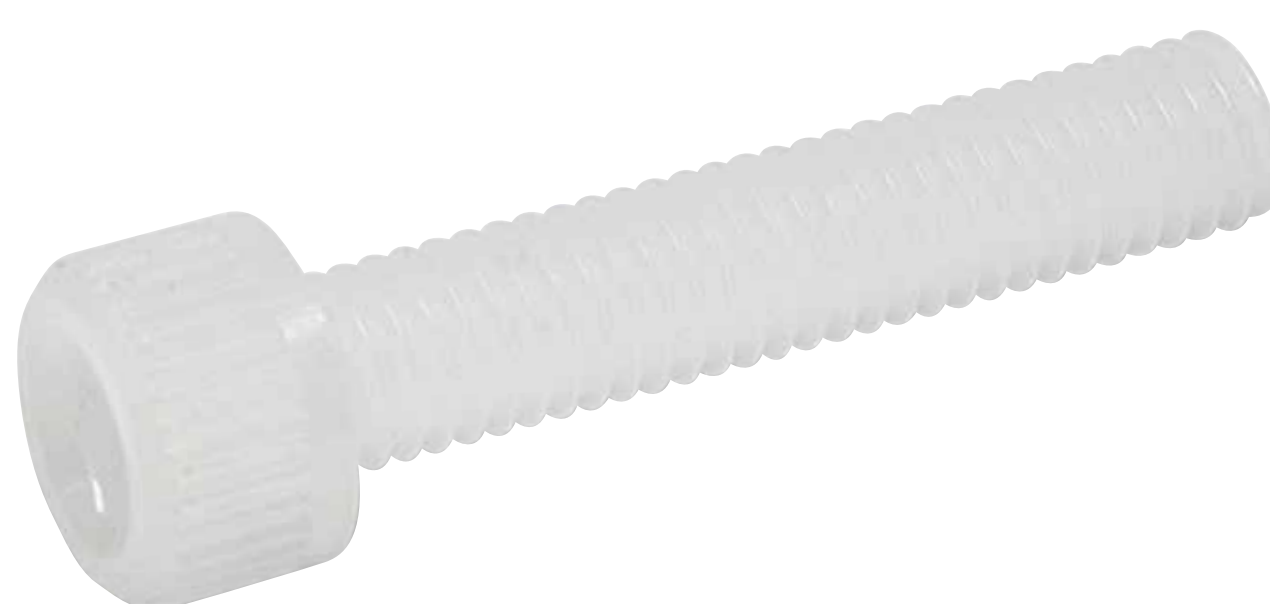
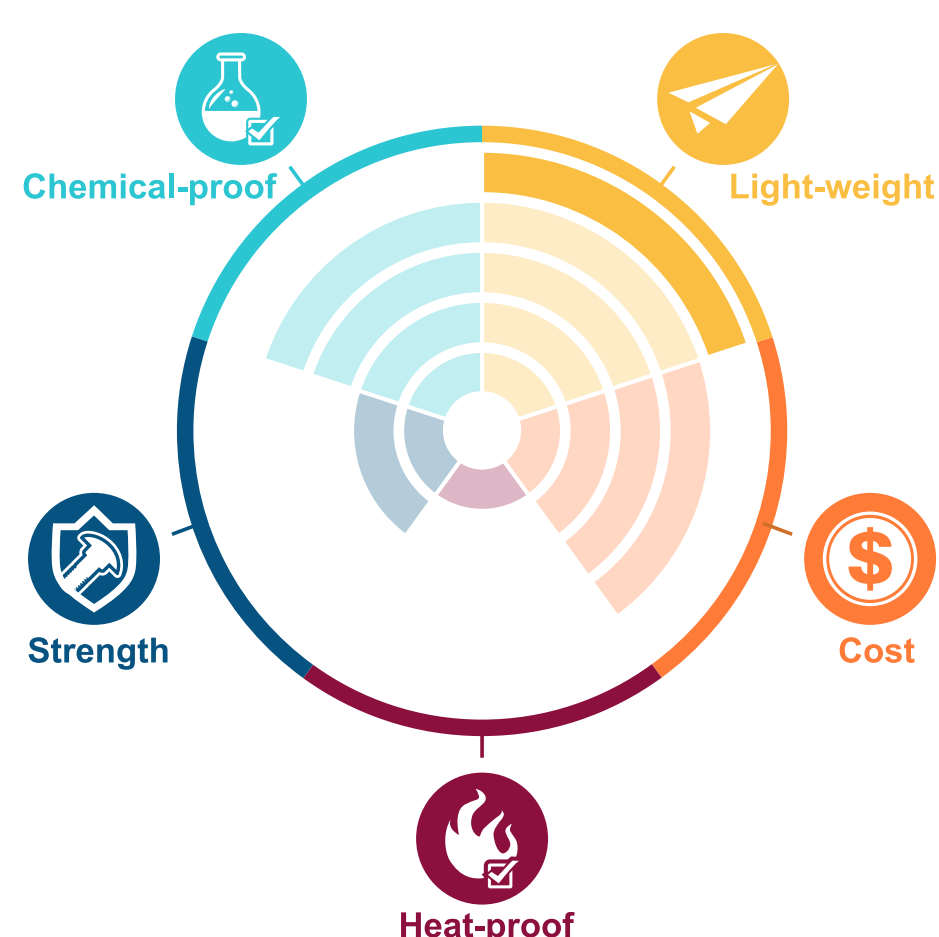


# Hex Socket Resin Screws - Embossing



Model SCBFPPM( )-(L)

**PP** Polypropylene / Engineering Plastics

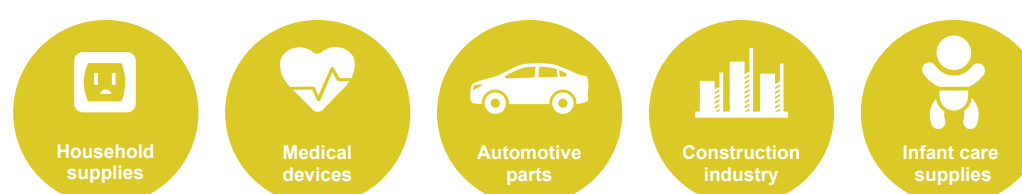


Polypropylene is a thermoplastic resin which can be widely applied in various products and purposes through adopting different formulas or modified by using additives. PP has the advantage of ease of processing and low cost, which can satisfy different market demands. Therefore, it has become a very competitive plastic product compared with other expensive resins.

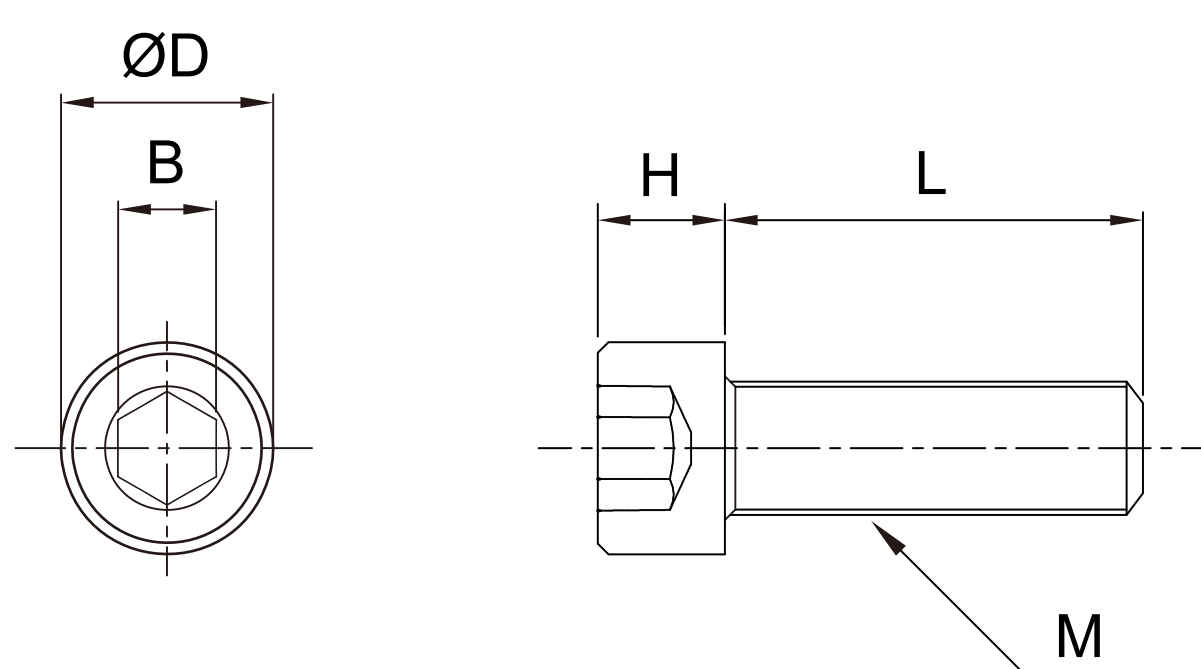
### Product Properties

1. Low cost and ease of molding.
2. Light specific weight and low water absorption.
3. Durability in appearance.
4. Chemical stability.
5. Versatile use on many parts.

### Applied industries



## Specs



Model: SCBFPPM( )-(L)

M	3	4	5	6	8	10	12
<b>DxH</b>	5.5x3	7x4	8.5x5	10x6	13x8	16x10	18x12
<b>B</b>	2.5	3	4	5	6	8	10
<b>Pitch</b>	0.5	0.7	0.8	1	1.25	1.5	1.75
<b>L(mm)</b>	4	•	-	-	-	-	-
	5	•	•	-	-	-	-
	6	•	•	•	-	-	-
	8	•	•	•	-	-	-
	10	•	•	•	•	•	-
	12	•	•	•	•	•	-
	15	•	•	•	•	•	•
	16	•	•	•	•	•	-
	20	•	•	•	•	•	•
	25	•	•	•	•	•	•
	30	-	•	•	•	•	•
	35	-	•	•	•	•	•
40	-	•	•	•	•	•	
45	-	-	-	•	•	•	
50	-	-	-	•	•	•	

### Contact Information

No.60-3, Dongqi 7th Ln., Lukang Township, Changhua County 505008, Taiwan.  
 TEL: +886-4-778-4688  
 FAX: +886-4-778-4268  
 E-mail: sales@plasautotw.com

