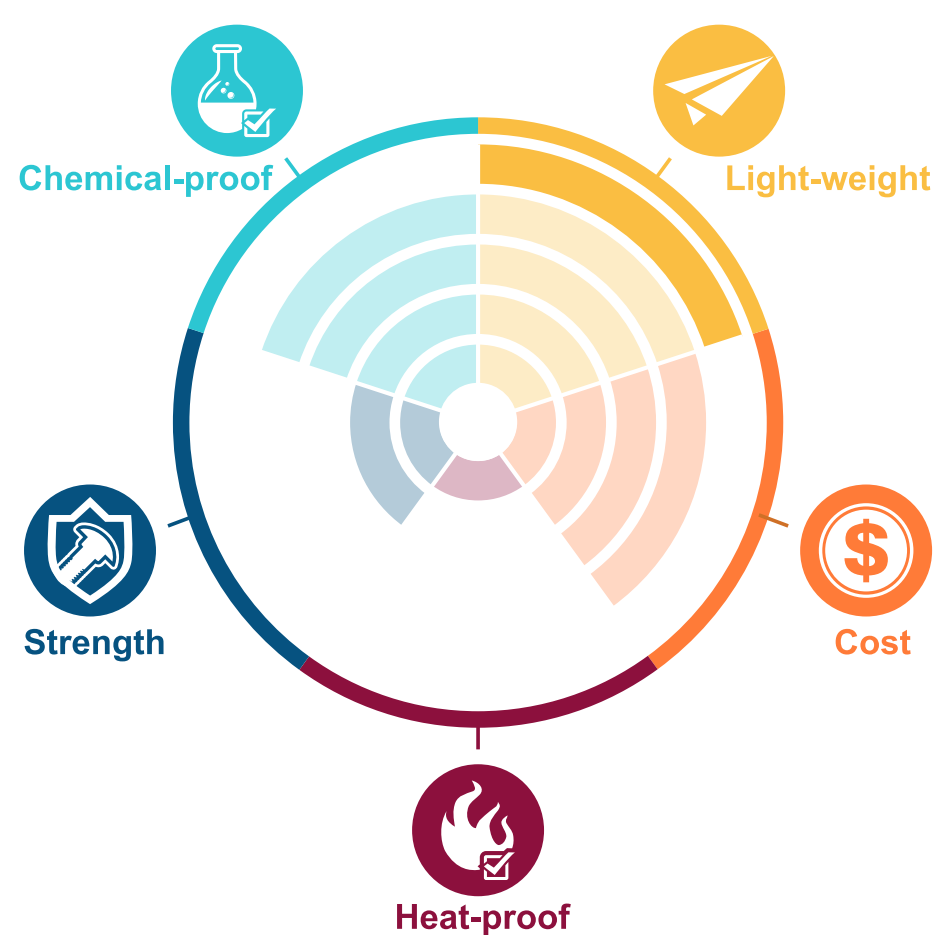


Set Screws



Model HSPPM()- (L)

PP Polypropylene / Engineering Plastics



Polypropylene is a thermoplastic resin which can be widely applied in various products and purposes through adopting different formulas or modified by using additives. PP has the advantage of ease of processing and low cost, which can satisfy different market demands. Therefore, it has become a very competitive plastic product compared with other expensive resins.

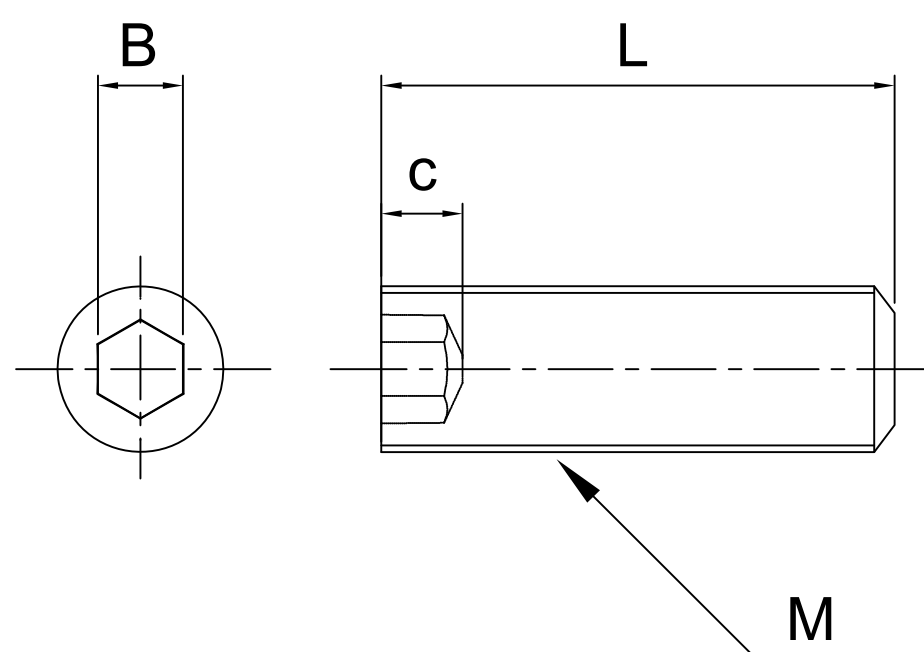
Product Properties

1. Low cost and ease of molding.
2. Light specific weight and low water absorption.
3. Durability in appearance.
4. Chemical stability.
5. Versatile use on many parts.

Applied industries



Specs



Model: HSPPM()- (L)

M	3	4	5	6	8
BxC	1.5x2	2x2.5	2.5x3	3x3.5	4x5
Pitch	0.5	0.7	0.8	1	1.25
L(mm)	4	•	-	-	-
	5	•	•	•	-
	6	•	•	•	•
	8	•	•	•	•
	10	•	•	•	•
	12	•	•	•	•
	15	•	•	•	•
	20	-	•	•	•
	25	-	-	-	•
	30	-	-	-	-

Contact Information

No.60-3, Dongqi 7th Ln., Lukang Township, Changhua County 505008, Taiwan.
 TEL: +886-4-778-4688
 FAX: +886-4-778-4268
 E-mail: sales@plasautotw.com

