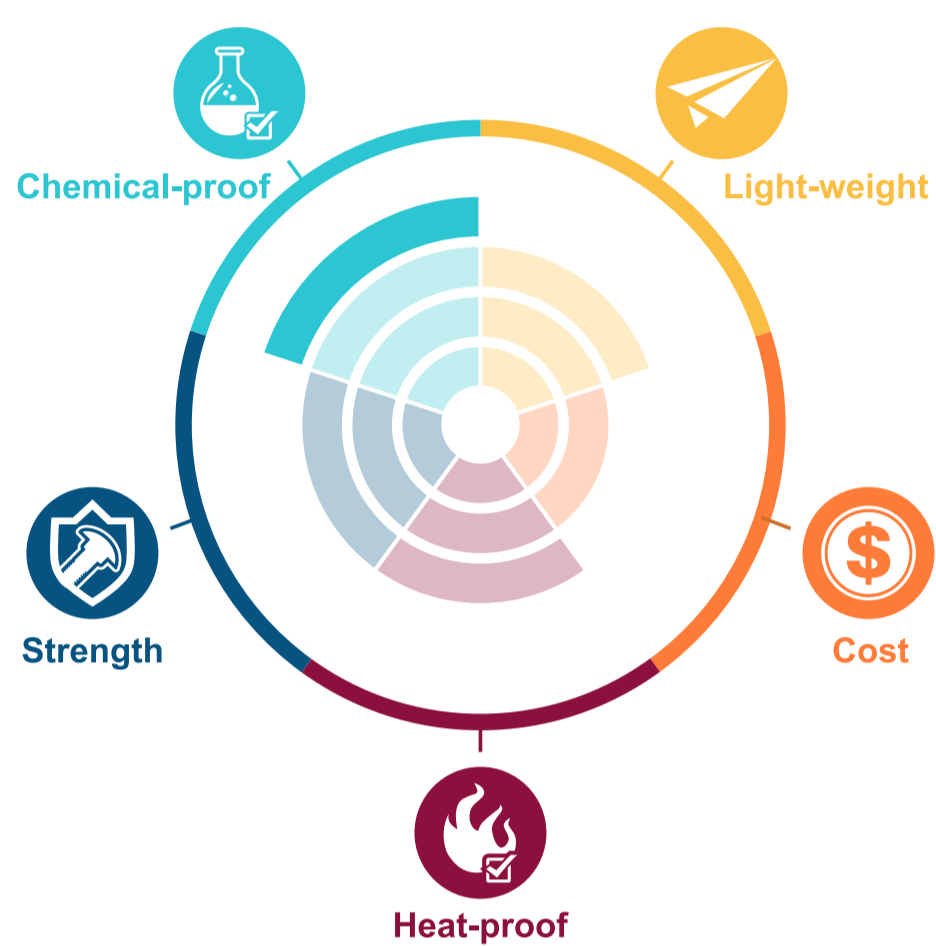


# Hex Socket - Embossing Screws



Model SCBFPVDM( )-(L)

**PVDF** Fluorine Resin / Advanced Engineering Plastics



Among the group of Fluoropolymers, PVDF (Polyvinylidene Fluoride) has the premium properties as the best mechanical strength and toughness, low friction coefficient, strong corrosion resistance, anti-aging, weather resistance, anti-radiation, etc.

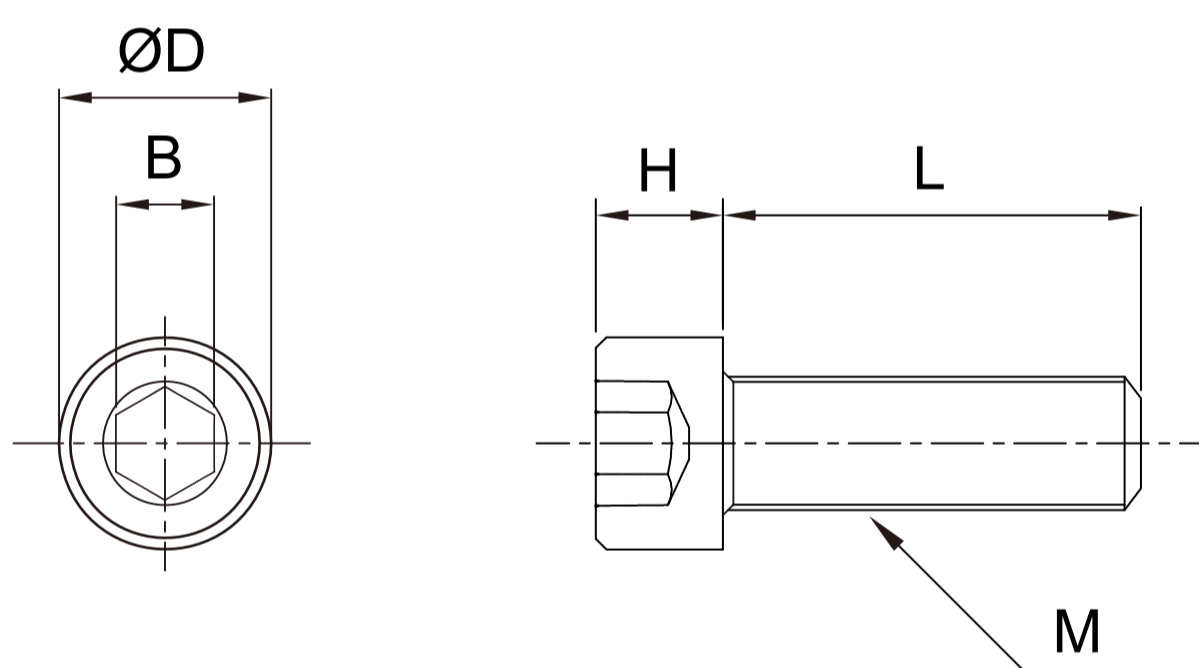
**Product Properties**

1. Excellent chemical resistance to most of aggressive solvents.
2. Excellent mechanical strength & high abrasion resistance.
3. Continuous use temperature up to 150°C.
4. Excellent ageing resistance.
5. Resistance to UV and nuclear radiations.
6. Excellent intrinsic fire resistance.

**Applied industries**



**Specs**



Model: SCBFPVDM( )-(L)

M	3	4	5	6	8	10	12
<b>DxH</b>	5.5x3	7x4	8.5x5	10x6	13x8	16x10	18x12
<b>B</b>	2.5	3	4	5	6	8	10
<b>Pitch</b>	0.5	0.7	0.8	1	1.25	1.5	1.75
<b>L(mm)</b>	4	●	-	-	-	-	-
	5	●	●	-	-	-	-
	6	●	●	●	-	-	-
	8	●	●	●	-	-	-
	10	●	●	●	●	-	-
	12	●	●	●	●	●	-
	15	●	●	●	●	●	●
	16	●	●	●	●	●	-
	20	●	●	●	●	●	●
	25	●	●	●	●	●	●
	30	-	●	●	●	●	●
	35	-	●	●	●	●	●
40	-	●	●	●	●	●	
45	-	-	-	●	●	●	
50	-	-	-	●	●	●	

**Contact Information**

No.60-3, Dongqi 7th Ln., Lukang Township, Changhua County 505008, Taiwan.  
 TEL: +886-4-778-4688  
 FAX: +886-4-778-4268  
 E-mail: sales@plasautotw.com

