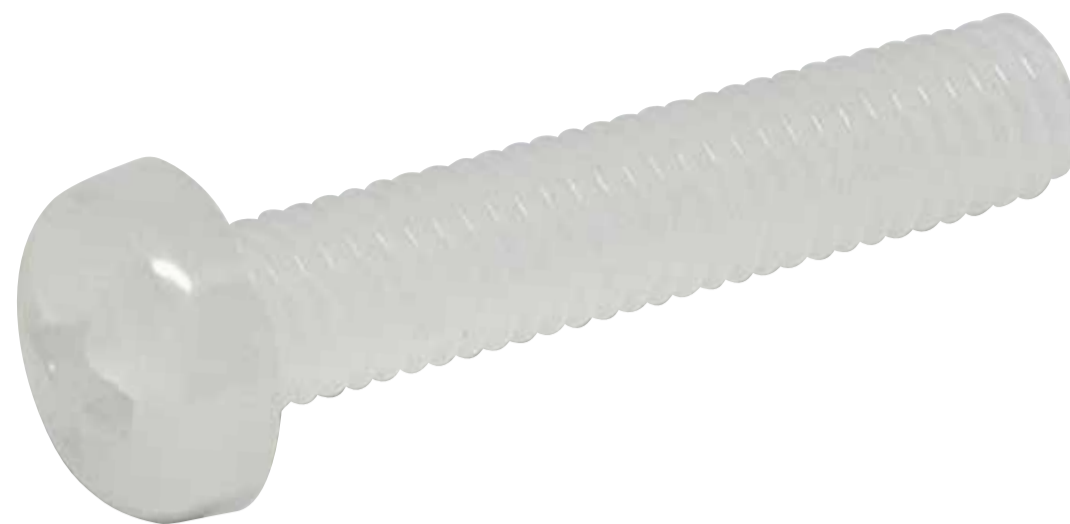
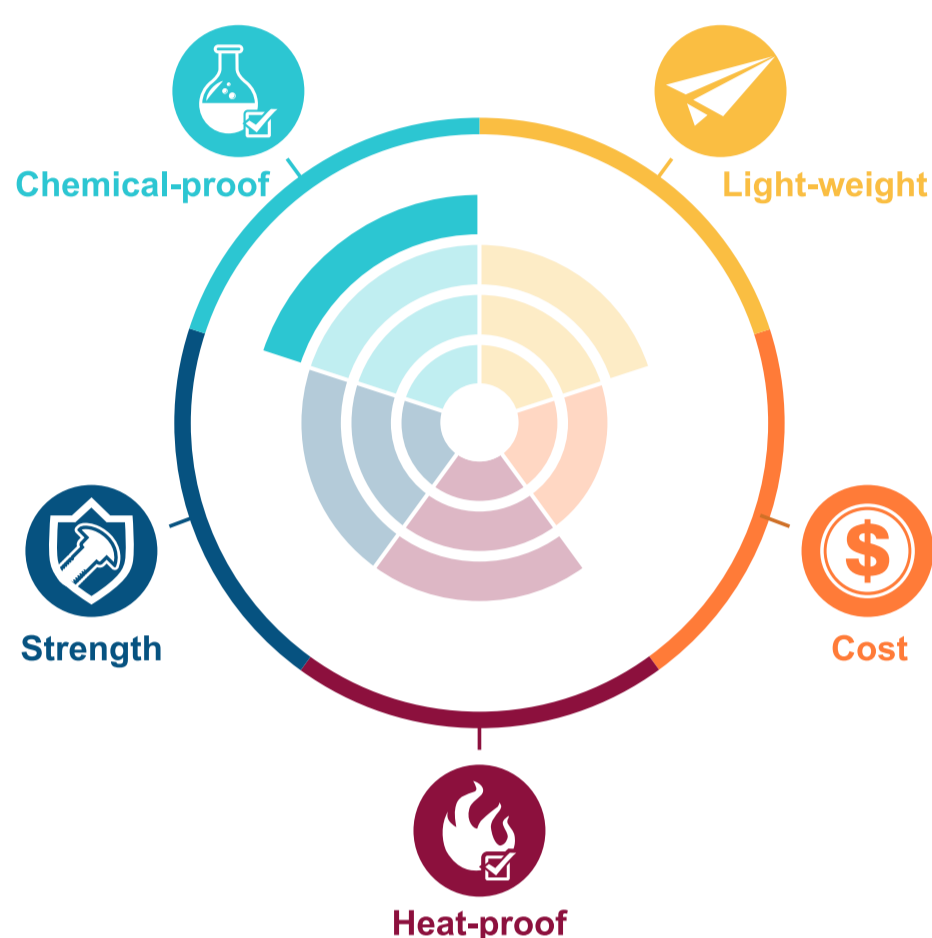


# Buttonhead Phillips Screws



Model SPHPVDM( )-(L)

**PVDF** Fluorine Resin / Advanced Engineering Plastics



Among the group of Fluoropolymers, PVDF (Polyvinylidene Fluoride) has the premium properties as the best mechanical strength and toughness, low friction coefficient, strong corrosion resistance, anti-aging, weather resistance, anti-radiation, etc.

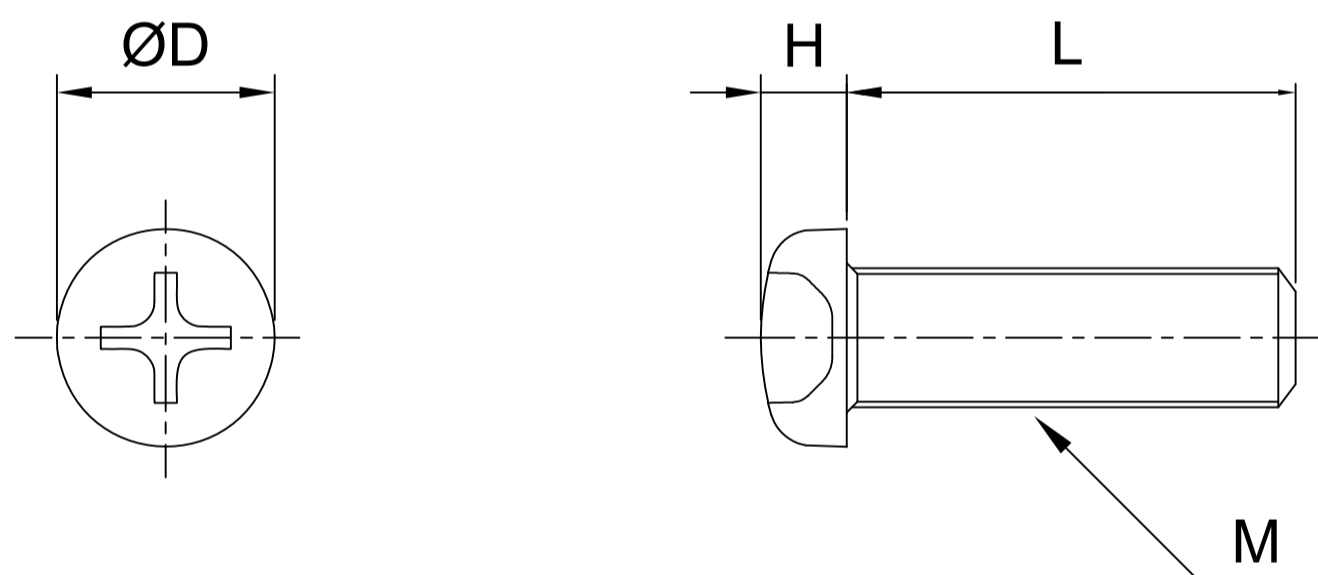
**Product Properties**

1. Excellent chemical resistance to most of aggressive solvents.
2. Excellent mechanical strength & high abrasion resistance.
3. Continuous use temperature up to 150°C.
4. Excellent ageing resistance.
5. Resistance to UV and nuclear radiations.
6. Excellent intrinsic fire resistance.

**Applied industries**



**Specs**



Model: SPHPVDM( )-(L)

M	2	3	4	5	6	8
<b>DxH</b>	3.5x1.3	5.5x2	7x2.6	9x3.3	10.5x3.9	14x5.2
<b>Pitch</b>	0.4	0.5	0.7	0.8	1	1.25
<b>L(mm)</b>	4	•	•	-	-	-
	5	•	•	•	-	-
	6	•	•	•	•	-
	8	•	•	•	•	-
	10	•	•	•	•	•
	12	•	•	•	•	•
	15	-	•	•	•	•
	16	-	•	•	•	•
	20	-	•	•	•	•
	25	-	•	•	•	•
	30	-	-	•	•	•
	35	-	-	•	•	•
40	-	-	•	•	•	
45	-	-	-	-	•	
50	-	-	-	-	•	

**Contact Information**

No.60-3, Dongqi 7th Ln., Lukang Township, Changhua County 505008, Taiwan.  
 TEL: +886-4-778-4688  
 FAX: +886-4-778-4268  
 E-mail: sales@plasautotw.com

