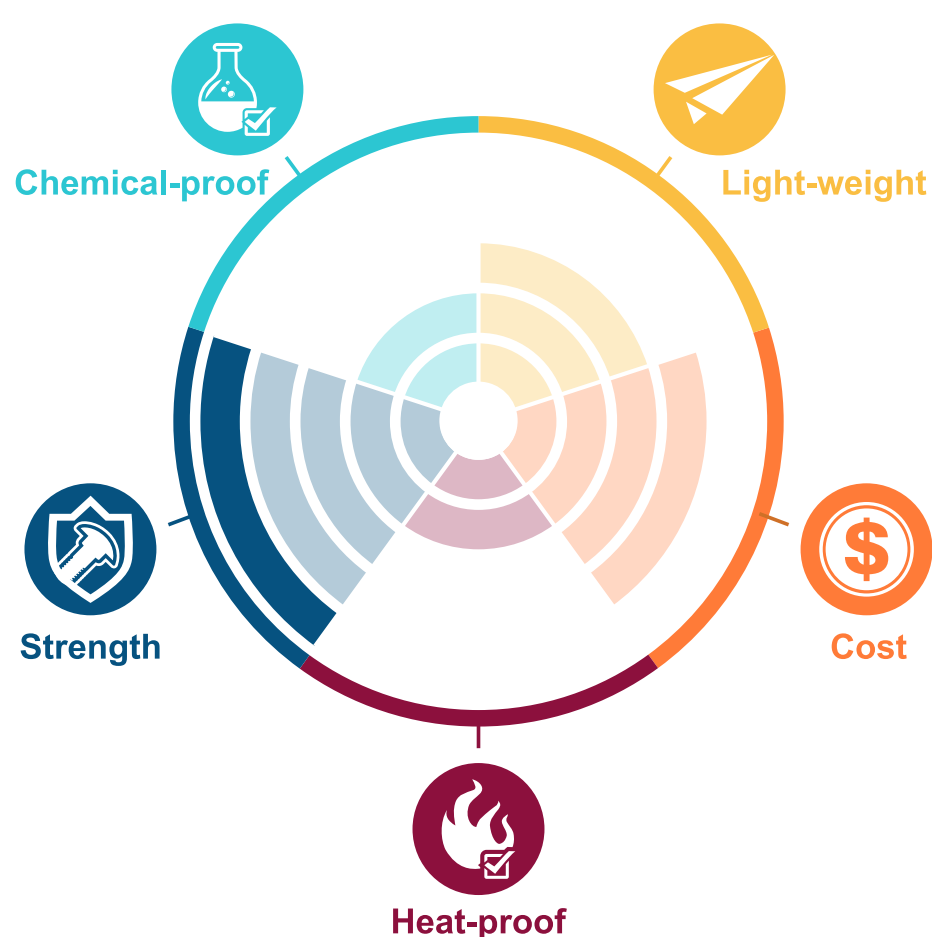


Nuts



Model NRENM()

RENY Polyamide MXD6 / Advanced Engineering Plastics

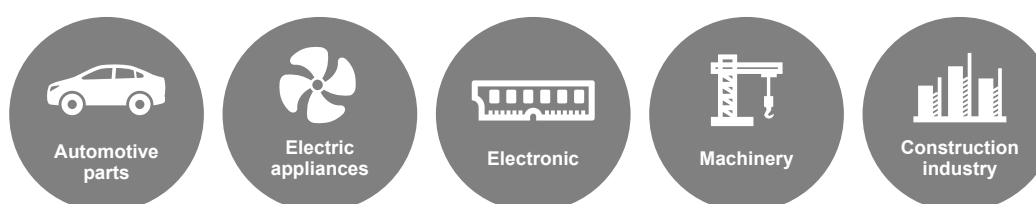


Reny (Polyamide MXD6) is a crystalline thermoplastic polymer. It exhibits higher mechanical strength/modulus, high heat deflection temperature and lower water absorption which let molded parts have little change in dimension and physical properties, compared to PA-6 and PA-66. In particular, when reinforced by glass fiber or mineral fillers, it displays excellent strength/modulus amid engineering plastics, serving for various critical demanding fields. Therefore, this material is suitable for metal substitution applications.

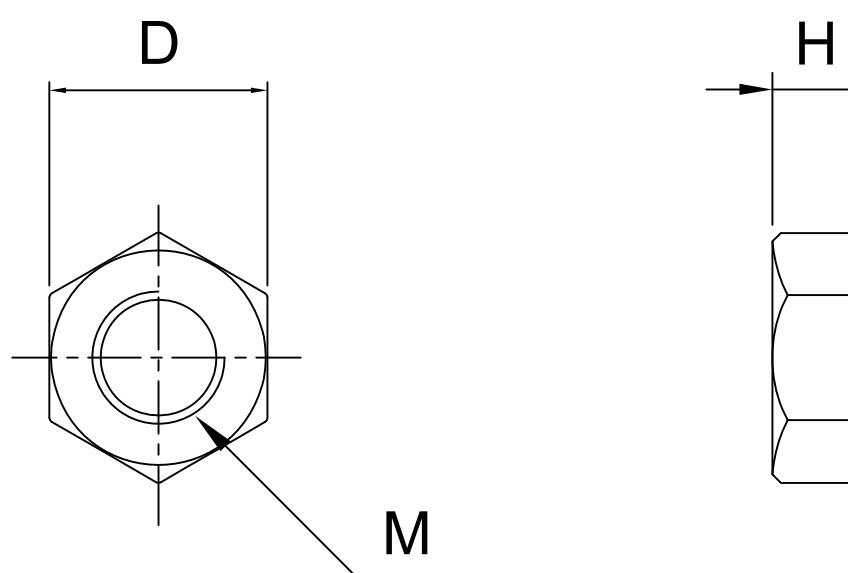
Product Properties

1. Excellent mechanical strength modulus over a wide range of temperatures.
2. Lower water absorption compared to general PA.
3. High heat distortion temperature, low thermal expansion coefficient, equivalent to metal alloys.
4. Excellent chemical resistance against oils and organic solvents.
5. Low molding shrinkage rate and low part warpage, suitable for molding precise articles.

Applied industries



Specs



Model: NRENM()

M	3	4	5	6	8	10	12
DxH	5.5x2.4	7x3.2	8x4	10x5	13x6.5	17x8	19x10
Pitch	0.5	0.7	0.8	1	1.25	1.5	1.75

Contact Information

No.60-3, Dongqi 7th Ln., Lukang Township, Changhua County 505008, Taiwan.

TEL: +886-4-778-4688

FAX: +886-4-778-4268

E-mail: sales@plasautotw.com

